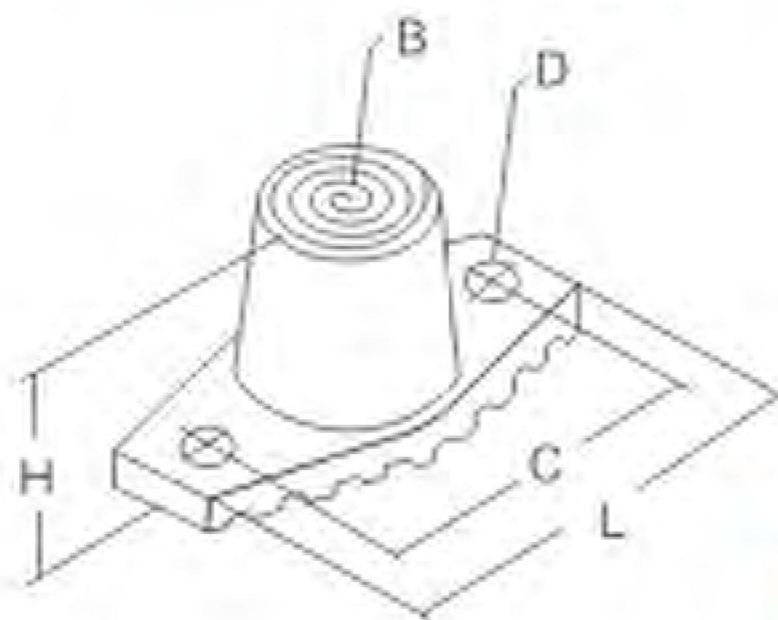




RM AND JG NEOPRENE ISOLATOR MOUNTS



RM Type

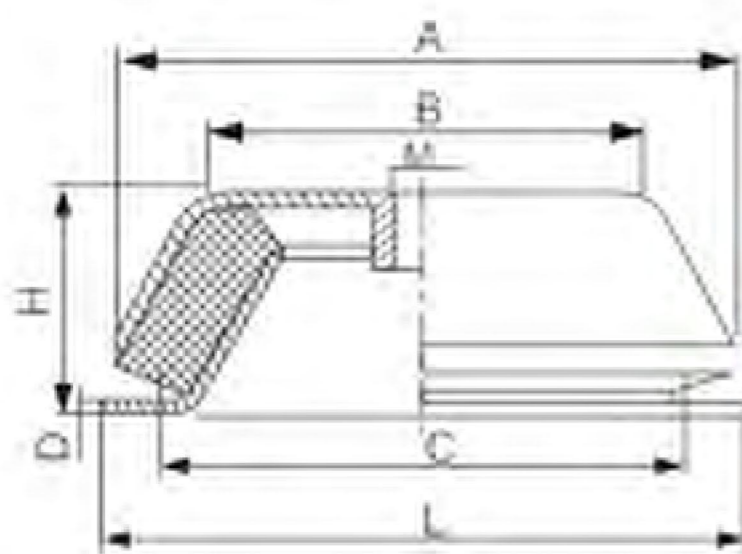
Application

RM and JG Neoprene Mounts are designed for both high static deflections and simplified installation. They are used to prevent noise and high frequency vibration from being transmitted to the support structure and local environment. RM and JG Neoprene Mounts are loaded in both shear and compression to provide rubber in shear performance as well as overload protection. The complete neoprene covering of the metal parts provides corrosion protection in either humid indoor or outdoor service.

Neoprene Mounts are widely used to isolate vibration for light mechanical equipments, e.g. fans, blowers, pumps, compressors, generators, etc. Bottom friction surface makes bolting unnecessary in most installations

RM Specification

Model	Rated Capacity (kg)	Dimension (mm)				
		C	L	H	B	D
RM1-1	5-25	60	80	38	M8	Φ11
RM1-2	25-40					
RM2-1	35-50	70	93	45	M10	Φ11
RM2-2	50-70					
RM3-1	50-90	76	105	50	M10	Φ11
RM3-2	100-130					
RMJD-450	450	105	140	83	M12	Φ15
RMJD-550	550					
RMJD-700	700	128	153	105	M12	Φ15
RMJD-1000	1000					
RMJD-1100	1100					



JG Type

Description

- Structure: One-piece molded neoprene mounts with cast-in tapped steel load plate on the top and cast-in drilled steel baseplate at the bottom.
- Skid resistant rubber ridged base plates and circular rubber ridged tops.
- Incorporate two (RM Model) or four (JG Model) bolt-down holes on the bottom load surface and a tapped steel load top plate for attachment to the supported equipment.

JG Specification

Model	Rated Capacity (kg)	Rated Static Deflection (mm)	Natural Frequency (Hz)	Dimension (mm)							
				H	L	A	B	C	D	M	Φ
JG1-1	150-300	5-2	8±2	55	150	146	95	125	3	16	4-13
JG1-2	350-550										
JG1-3	550-900										
JG2-1	400-900	6-2	7±2	65	183	176	125	150	4	20	4-13
JG2-2	1000-1600										
JG2-3	1500-2000										